

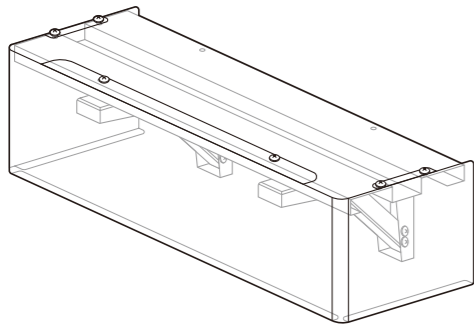


NOTE

- This accessory is designed to lift the product off the floor.
- For installation instructions, please see below.

PRODUCT OVERVIEW

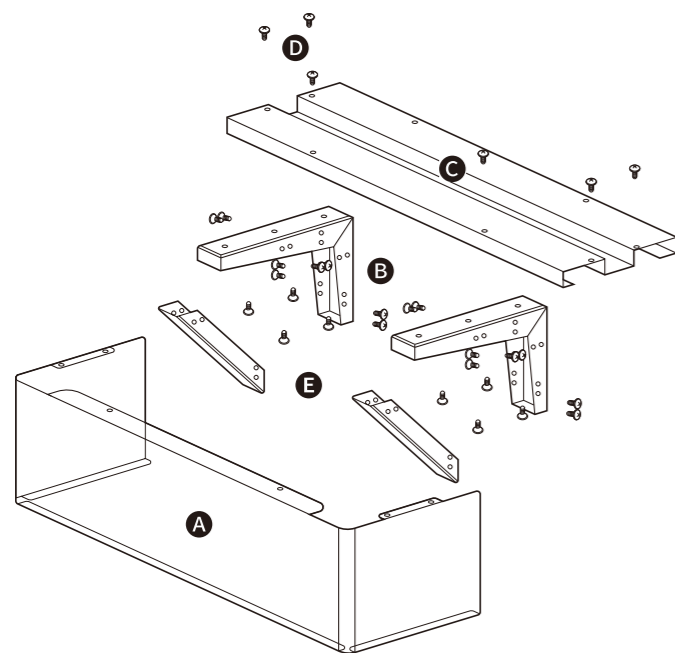
Assembly View



Specifications

- Product Name
 - Support Bracket(ARAORASB001)
- Dimensions (H × W × D)
 - 175 × 699 × 230 mm
 - 6.9 × 27.5 × 9.1 in
- Weight
 - 6.6 kg / 14.52 lb
- Max Load
 - 700 kg / 1,615 lb

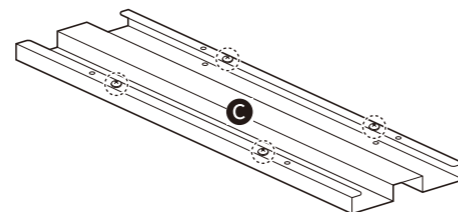
Exploded View



Components

| | |
|------------------------|------|
| Ⓐ Cover | 1EA |
| Ⓑ Bracket | 2EA |
| Ⓒ Plate | 1EA |
| Ⓓ Screw | 30EA |
| Ⓔ Bracket fixing | 2EA |

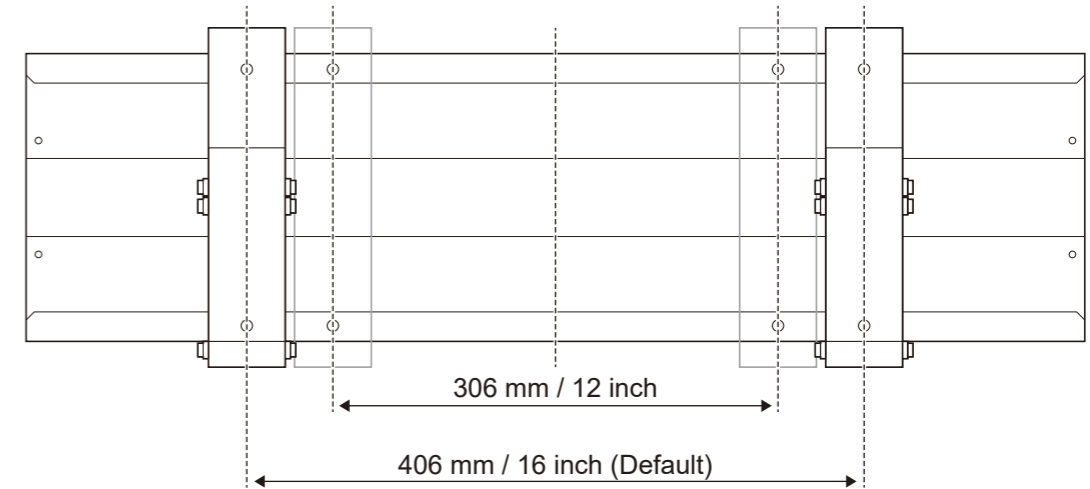
- Check the location of the spare screw.



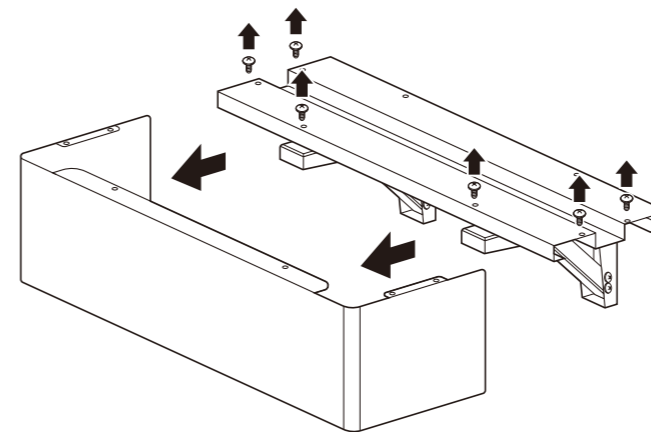
INSTALLATION

⚠ Caution

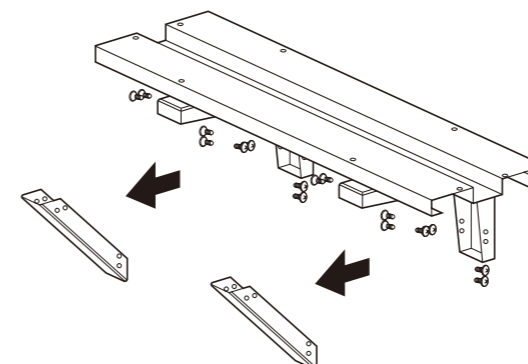
- Before installation, please check the column spacing on the wall.
- The brackets can use either a 306 mm / 12 in or 406 mm / 16 in interval, as shown in the picture below.
- If you assemble with a 16-inch product, skip ③ to ⑤ in the assembly sequence below and assemble it, and if you assemble with a 12-inch product, please assemble in the order of ① to ⑩.



① First, remove the top plate.



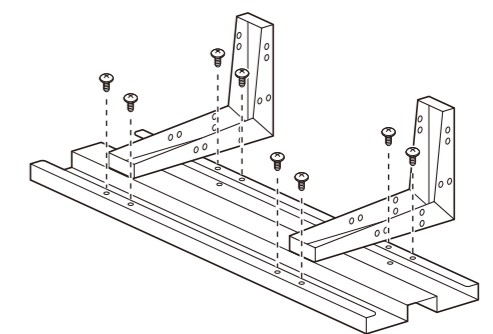
② Remove bracket fixing.



③ Turn the table top over.

④ Loosen the screws assembled with 16 inches and move the bracket to the 12 inches position.

⑤ Fasten 2 screws for each bracket.

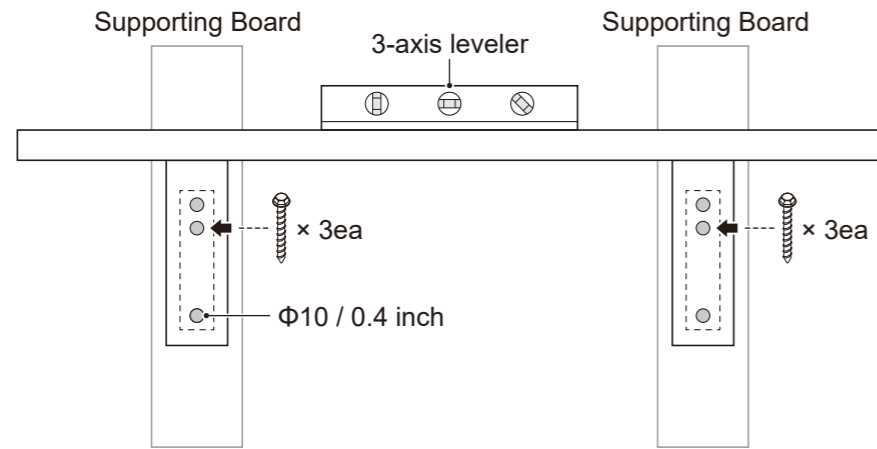


Fit the assembly hole (Defaults : 406 mm)

⚠ Caution

• To securely attach the fixture, assemble the anchor bolts firmly on the supporting board.

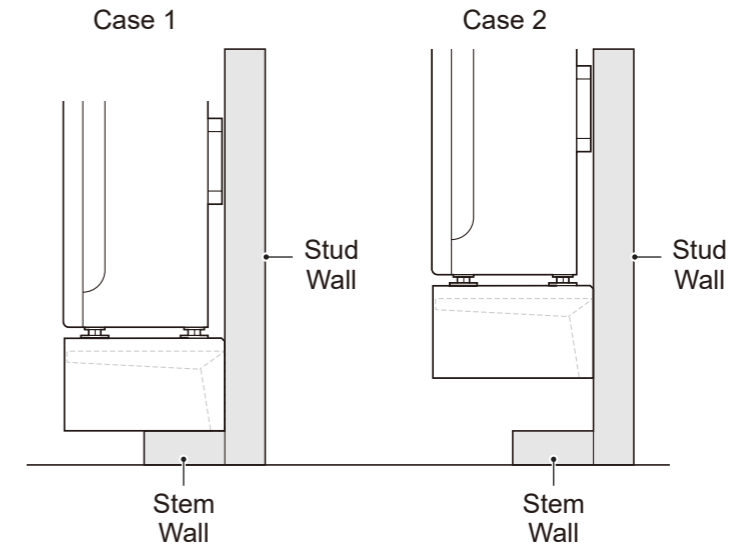
- ⑥ Fasten 3 anchor bolts each to the left / right brackets.
- ⑦ Use a 3-axis leveler to level the top plate before fastening.



| Wall Type | Screw | Length (Minimum) | Number of screws |
|---------------------|---|--------------------|------------------|
| Wood Studs | M8 (5/16 inch) Lag screws with washers | 76 mm (3 inches) | 6 |
| Concrete or Masonry | M8 (5/16 inch) Concrete fasteners with washers | 63 mm (2.5 inches) | 6 |

4

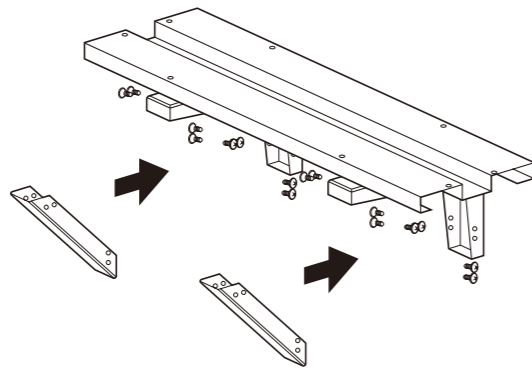
EXAMPLE OF SUPPORT BRACKET INSTALLATION



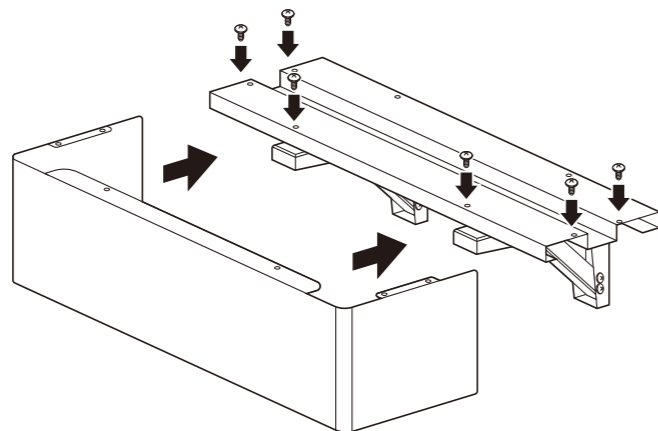
- LGE Applicable Products
 - 1) US Home 8 AIO (RA768K16A11)
 - 2) US Home 5 AIO (RA500K16A11)
- Reference : Home 5/8 AIO Installation Manual (MFL71893101)
 - 1) Minimum Clearance (page 31)
 - 2) Mounting details for wall brackets (page 37)

6

- ⑧ Assemble the two bracket fixing materials.



- ⑨ Slide the front panel from front to back to engage it.
- ⑩ Fasten 6 screws as shown in the picture below.



5



LG Electronics ESS Tech Support

Tel.: (844) 926-6829

Or by email: lghome8support@lge.com

LG Electronics USA, Inc.

111 Sylvan Avenue North Building Englewood Cliffs,
NJ 07632 USA

LG Customer Information Center

1-888-865-3026

Register your product online!

<https://www.lg.com/us/ess>